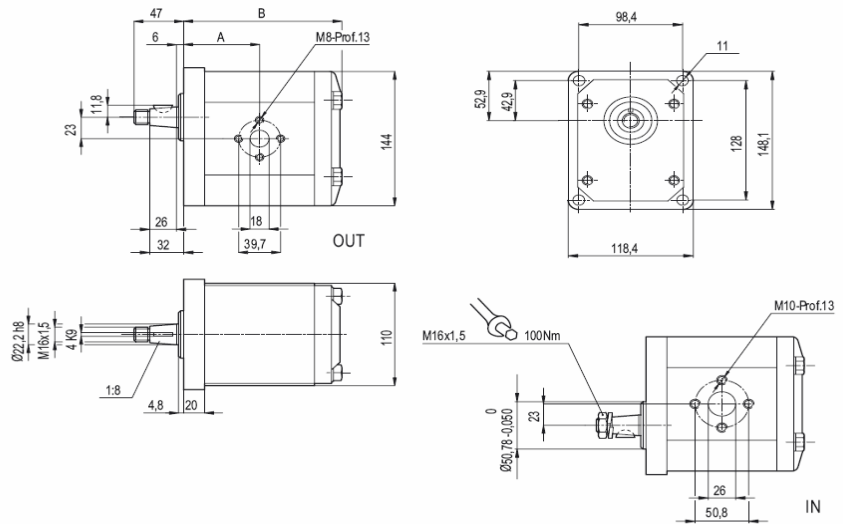


## Tandwielpompen Groep 3 : 218

## Pompes à engrenages Groupe 3 : 218



Pasrand / Centrage 50,8 mm  
Flens 4 gaten / Bride 4 trous  
Konische as 1:8 : Axe conique 1:8

| Type     | cm <sup>3</sup> | Cont. | Int. | Max. | T/min |      | A    | B   | D  | E  | Best. Nr. |
|----------|-----------------|-------|------|------|-------|------|------|-----|----|----|-----------|
|          |                 | bar   | bar  | bar  | Max.  | Min. | mm   | mm  | mm | mm |           |
| 3TK/22 D | 22              | 200   | 240  | 260  | 3000  | 600  | 61   | 129 |    |    | 8080076   |
| 3TK/22 S | 22              | 200   | 240  | 260  | 3000  | 600  | 61   | 129 |    |    | 8080082   |
| 3TK/28 D | 28              | 200   | 240  | 260  | 2900  | 600  | 63   | 134 |    |    | 8080077   |
| 3TK/28 S | 28              | 200   | 240  | 260  | 2900  | 600  | 63   | 134 |    |    | 8080083   |
| 3TK/32 D | 32              | 200   | 240  | 260  | 2800  | 600  | 64,5 | 137 |    |    | 8080078   |
| 3TK/32 S | 32              | 200   | 240  | 260  | 2800  | 600  | 64,5 | 137 |    |    | 8080084   |
| 3TK/38 D | 38              | 200   | 240  | 260  | 2800  | 600  | 66,5 | 143 |    |    | 8080079   |
| 3TK/38 S | 38              | 200   | 240  | 260  | 2800  | 600  | 66,5 | 143 |    |    | 8080085   |
| 3TK/45 D | 45              | 190   | 220  | 240  | 2600  | 600  | 69,5 | 149 |    |    | 8080080   |
| 3TK/45 S | 45              | 190   | 220  | 240  | 2600  | 600  | 69,5 | 149 |    |    | 8080086   |
| 3TK/56 D | 56              | 160   | 200  | 220  | 2300  | 600  | 77,2 | 160 |    |    | 8080081   |
| 3TK/56 S | 56              | 160   | 200  | 220  | 2300  | 600  | 77,2 | 160 |    |    | 8080087   |