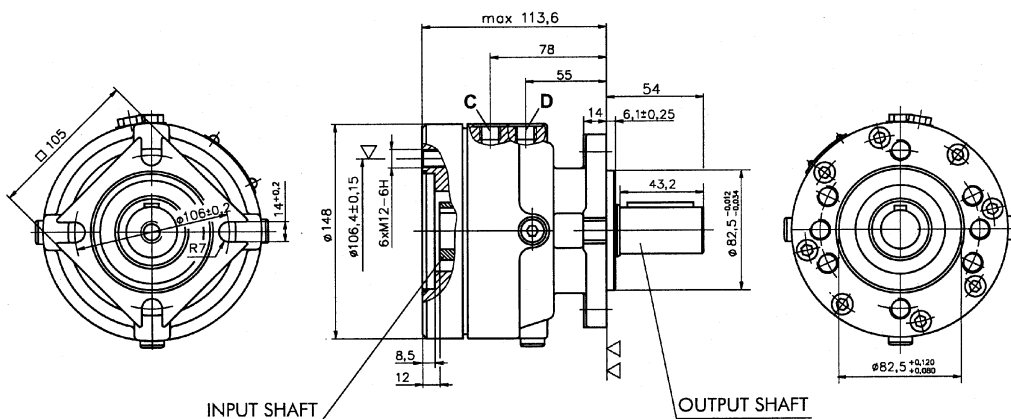


## Lamellenremmen voor Orbitmotoren MP/MR Freins pour moteurs orbitaux MP/MR



**C** : Brake release Port - G $\frac{1}{4}$ , 9 mm depth

**D** : Drainage tap - G $\frac{1}{4}$ , 9 mm depth

▽,▽,▽ - Place for attachment  
(tightening torque for bolts M12x30 - 8.8 DIN 931 - 7 daNm)

Type	Koppel/Couple daNm	Openingsdruk bar Pression d'ouvert.	bar	cm <sup>3</sup>	cm <sup>3</sup>	bar	Bestelnr. Ref.
ELB/288 C 7 C	6-8	4-5	300	7-8	50-120	0.5	
ELB/288 C 14 C	13-15	8-9	300	7-8	50-120	0.5	
ELB/288 C 21 C	20-22	12-13	300	7-8	50-120	0.5	
ELB/288 C 32 C	31-34	18-20	300	7-8	50-120	0.5	
ELB/288 C 43 C	41-45	24-26	300	7-8	50-120	0.5	8068261