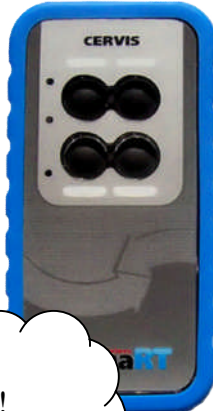


Afstandsbediening / Commande à distance**PTO-202**

2 drukknoppen / 2 boutons à pousser
IP67
3 AAA alkaline batteries
119x133x36mm

**PTO-204**

4 drukknoppen / 4 boutons à pousser
IP67
3 AAA alkaline batteries
119x133x36mm

Shift optie
Shift option!

**PTO-206**
PTO-206S

6 drukknoppen met shift optie voor 10 functies
6 boutons à pousser avec option shift pour 10 fonctions
IP67
3 AAA alkaline batteries
119x133x36mm



Optional Display

OO-218

18 drukknoppen / 18 boutons à pousser

16 functies On/Off / 16 fonctions On/Off

IP67

4 AA alkaline batteries

LCD Display

231x79x31mm

PG-214

PG-210-J

15 functies / 15 fonctions

214 → 14 digitale / 1 proportioneel met On/Off

214 → 14 digital / 1 proportional avec On/Off

210-J → 8 digitale met dual axis joystick en On/Off

210-J → 8 digital avec dual axis joystick et On/Off

IP67

4 AA alkaline batteries

Cable Back-Up option

Joystick option

231x133x146mm



PG-214



PG-210-J

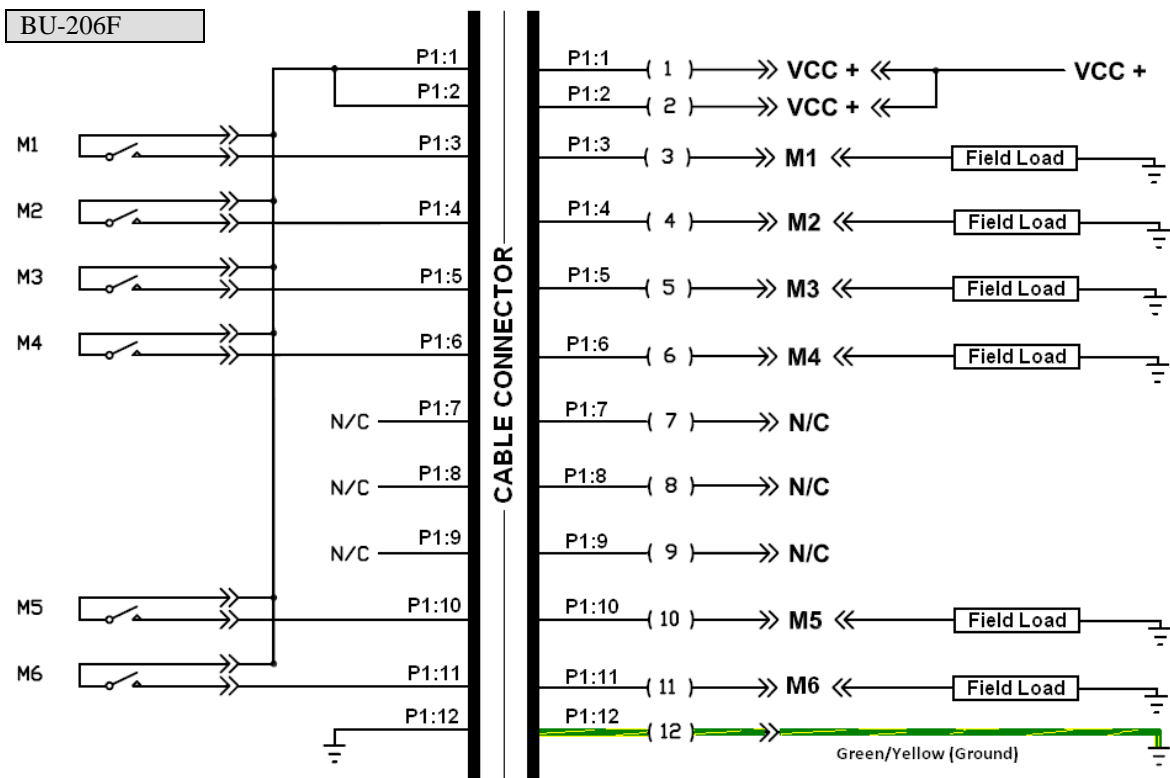


9-18V Ontvanger / Récepteur



BU-206F-INT-12V

- Six function base unit**
- Six inputs/outputs**
- IP67 environmental rating**
- Powered by 9-18V DC**
- Antenna Internal**
- Outputs PWM or switch to ground inputs**
- Momentary, latching, interlocked outputs**
- Power, Transmit/ Receive, Health and Output LEDs**
- 119x113x36mm**

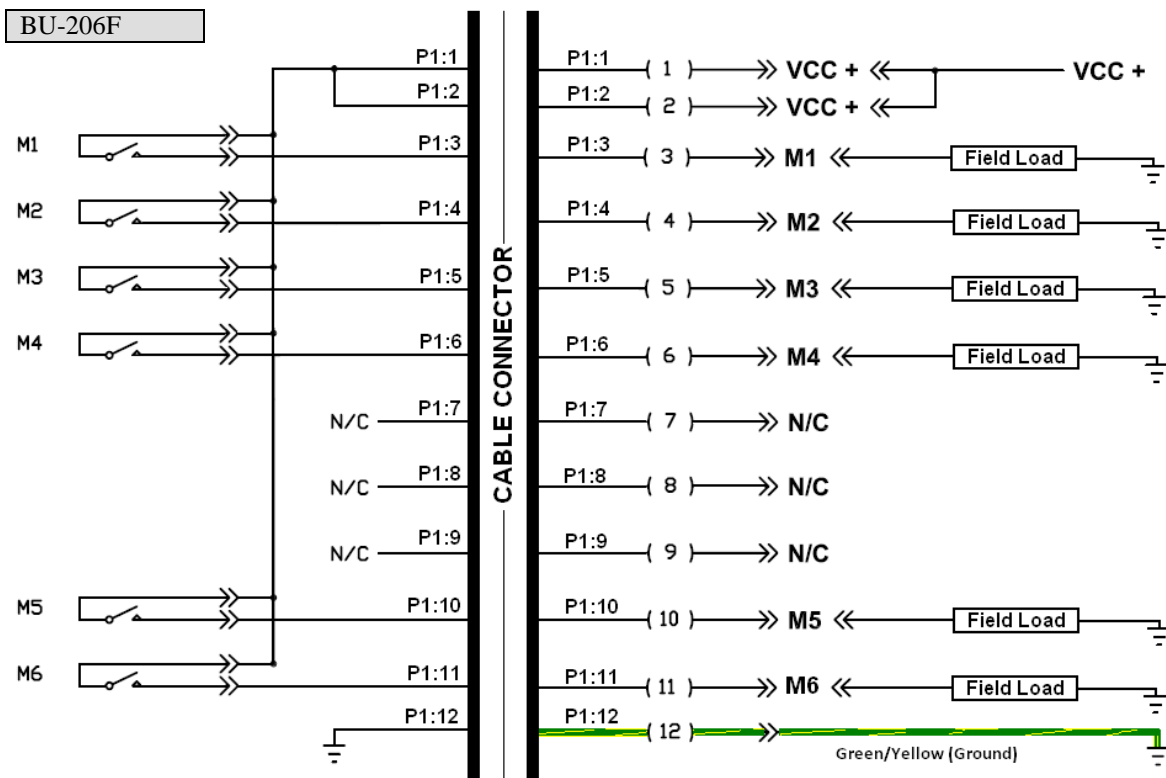


18-32V Ontvanger / Récepteur



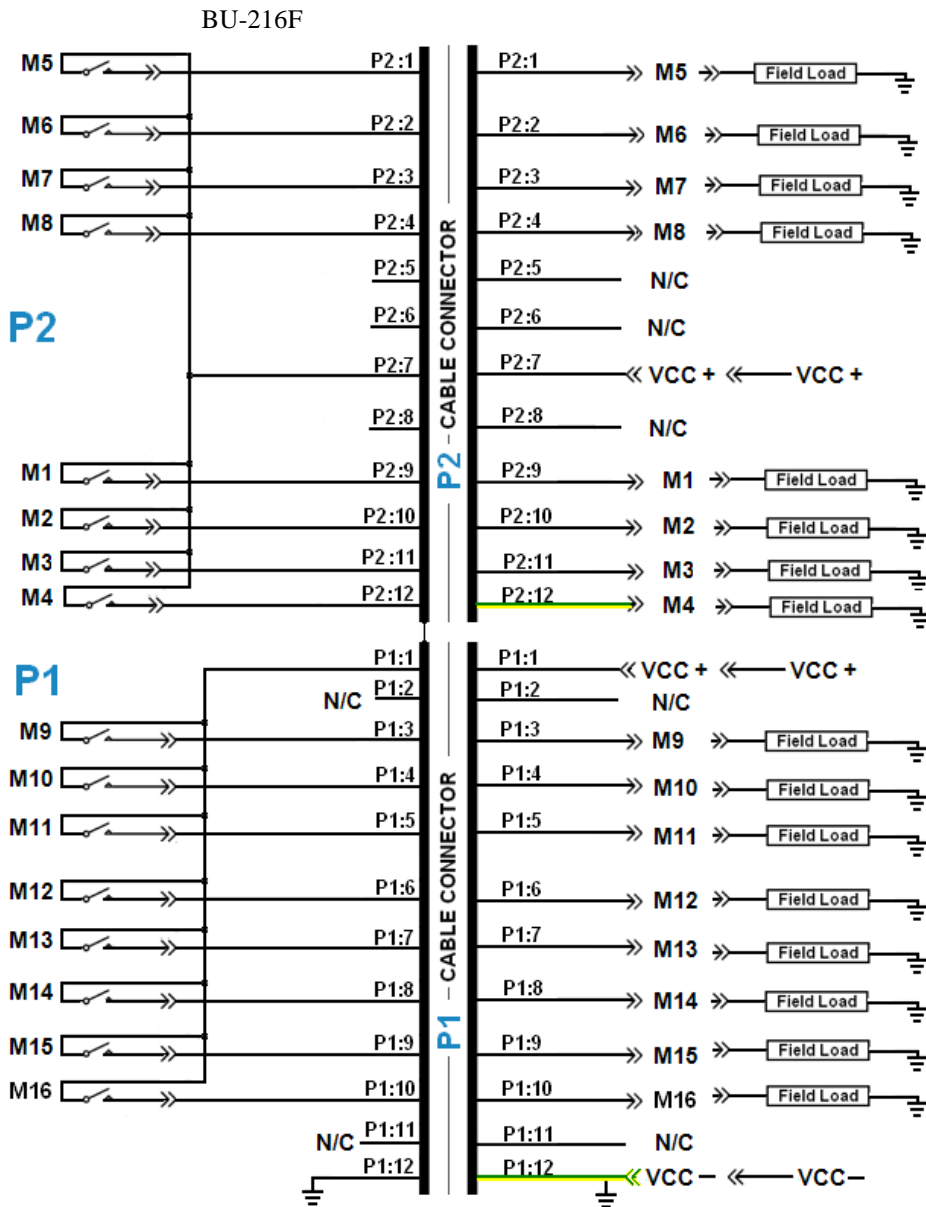
BU-206F-INT-24V

Six function base unit
Six inputs/outputs
IP67 environmental rating
Powered by 18-36V DC
Antenna Internal
Outputs PWM or switch to ground inputs
Momentary, latching, interlocked outputs
Power, Transmit/ Receive, Health and Output LEDs
119x113x36mm



7-32V Ontvanger / Récepteur
BU-216F-INT-24V


Sixteen function base unit
Sixteen inputs/outputs
IP67 environmental rating
Powered by 7-32V DC
Antenna Internal
Outputs PWM or switch to ground inputs
Momentary, latching, interlocked outputs
Power, Transmit/ Receive, Health and Output LEDs
119x113x36mm



Aansluitkabels / Cables de connection

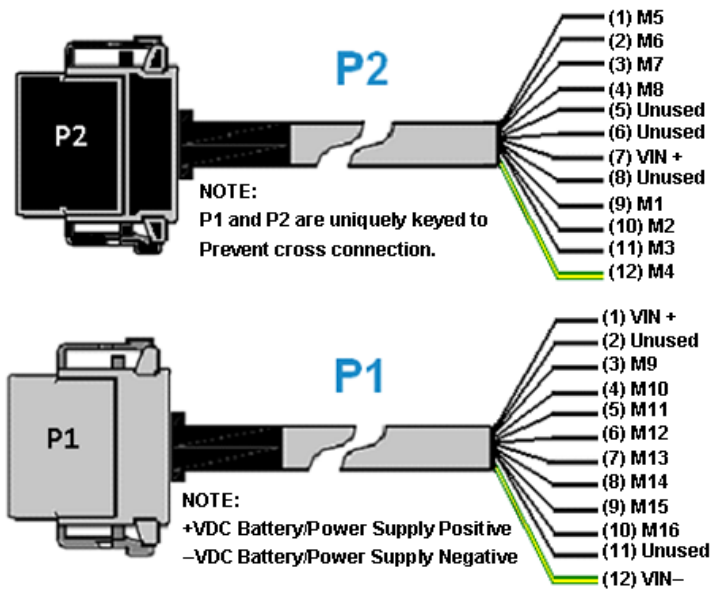
HN-1001

HN-1002

813mm in length

HN-1001 required for 206F and 216F models

HN-1002 required for 216F models

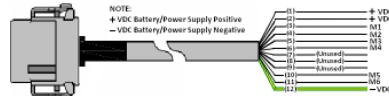


Complete Systems 9-18VDC

Part Number:

SmaRT202F-12V

Includes



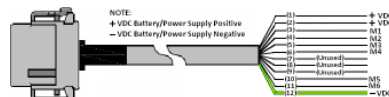
PTO-202
BU-206F-INT-12V
HN-1001

Bestelnr. / Réf. : 8078320

Part Number:

SmaRT204F-12V

Includes



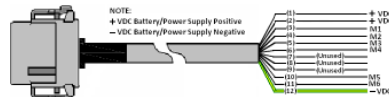
PTO-204
BU-206F-INT-12V
HN-1001

Bestelnr. / Réf. : 8078321

Part Number:

SmaRT206F-12V

Includes



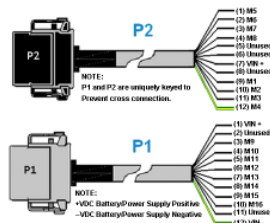
PTO-206
BU-206F-INT-12V
HN-1001

Bestelnr. / Réf. : 8078322

Part Number:

SmaRT206FS-12V

Includes



PTO-206S
BU-216F-INT-12V
HN-1001
HN-1002

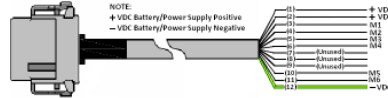
Bestelnr. / Réf. : 8078323

Complete Systems 18-32VDC

Part Number:

SmaRT202F-24V

Includes



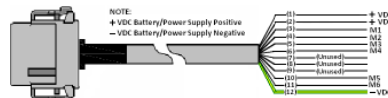
PTO-202
BU-206F-INT-24V
HN-1001

Bestelnr. / Réf. : 8078324

Part Number:

SmaRT204F-24V

Includes



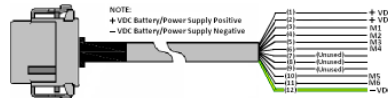
PTO-204
BU-206F-INT-24V
HN-1001

Bestelnr. / Réf. : 8078325

Part Number:

SmaRT206F-24V

Includes



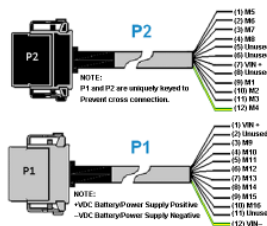
PTO-206
BU-206F-INT-24V
HN-1001

Bestelnr. / Réf. : 8078326

Part Number:

SmaRT206FS-24V

Includes



PTO-206S
BU-216F-INT-24V
HN-1001
HN-1002

Bestelnr. / Réf. : 8078327

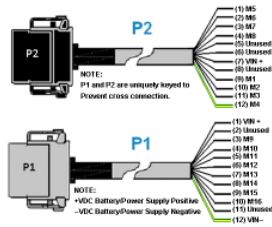
Complete Systems

Part Number:



Bestelnr. / Réf. : 8078328

SmaRT216PG-24V



Includes

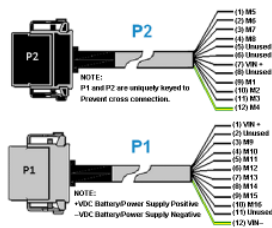
**PG-214
BU-216F-INT-24V
HN-1001
HN-1002**

Part Number:



Bestelnr. / Réf. : 8078329

SmaRT210JPG-24V



Includes

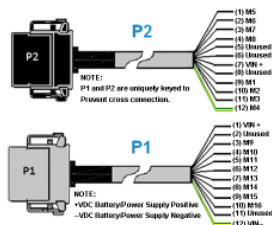
**PG-210-J
BU-216F-INT-24V
HN-1001
HN-1002**

Part Number:



Bestelnr. / Réf. : 8078330

SmaRT216CBLV-24V

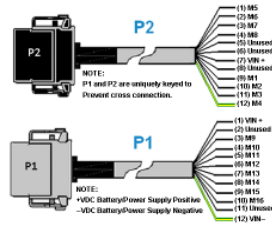


Includes

**CB-LV900
BU-216F-INT-24V
HN-1001
HN-1002**

Part Number:

SmaRT218-24V



Includes
OO-218
BU-216F-INT-24V
HN-1001
HN-1002

Provides 18 digital outputs