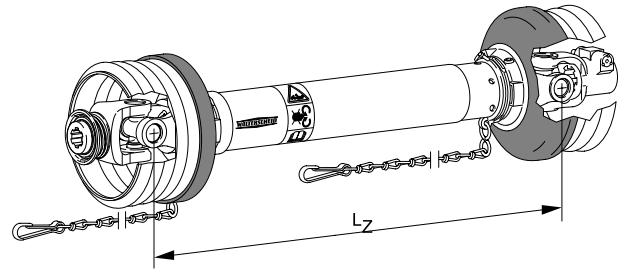


1. DRIVE SHAFTS

1.3. SERIES W...E (ECOLINE)



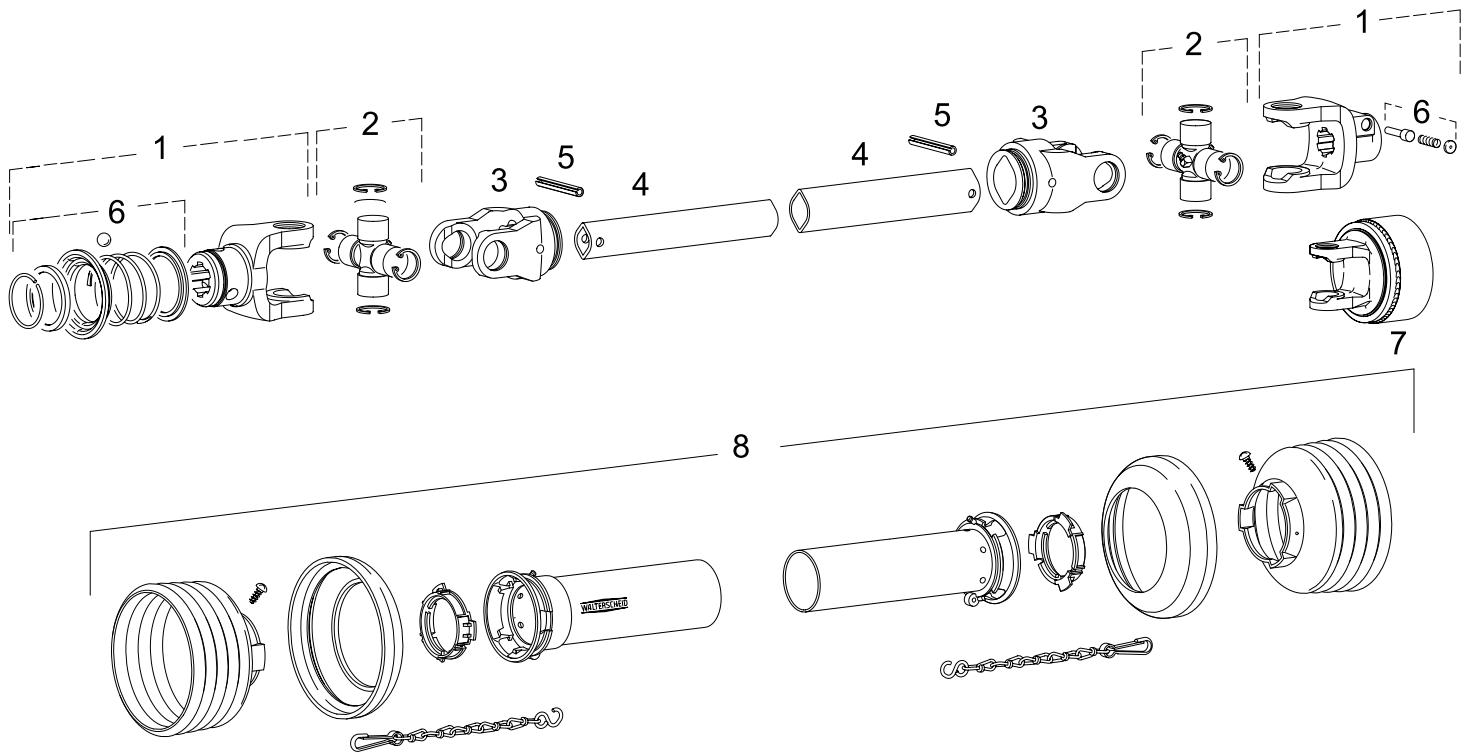
W...E ECOLINE DRIVE SHAFTS

Tractor side connecting yokes and guard according to DIN EN 12965

Type	Size	Lz [mm]	Guards	Profile pairing	Style	Profile (LH)	Profile (RH)	Part No.
W	100E	560	SD05	00c/0a	AZG / AG	1 3/8" (6)	1 3/8" (6)	1692718
W	100E	710	SD05	00c/0a	AZG / AG	1 3/8" (6)	1 3/8" (6)	1692717
W	100E	860	SD05	00c/0a	AZG / AG	1 3/8" (6)	1 3/8" (6)	1692715
W	100E	1010	SD05	00c/0a	AZG / AG	1 3/8" (6)	1 3/8" (6)	1692716
W	100E	1210	SD05	00c/0a	AZG / AG	1 3/8" (6)	1 3/8" (6)	1694256
W	200E	560	SD15	0v/1	AZG / AG	1 3/8" (6)	1 3/8" (6)	1692997
W	200E	710	SD15	0v/1	AZG / AG	1 3/8" (6)	1 3/8" (6)	1692994
W	200E	860	SD15	0v/1	AZG / AG	1 3/8" (6)	1 3/8" (6)	1692996
W	200E	1010	SD15	0v/1	AZG / AG	1 3/8" (6)	1 3/8" (6)	1692995
W	200E	1210	SD15	0v/1	AZG / AG	1 3/8" (6)	1 3/8" (6)	1692998
W	300E	560	SD15	0v/1	AZG / AG	1 3/8" (6)	1 3/8" (6)	1692761
W	300E	710	SD15	0v/1	AZG / AG	1 3/8" (6)	1 3/8" (6)	1692766
W	300E	860	SD15	0v/1	AZG / AG	1 3/8" (6)	1 3/8" (6)	1692765
W	300E	1010	SD15	0v/1	AZG / AG	1 3/8" (6)	1 3/8" (6)	1692763
W	300E	1210	SD15	0v/1	AZG / AG	1 3/8" (6)	1 3/8" (6)	1692764
W	400E	560	SD25	1b/2a	AZG / AG	1 3/8" (6)	1 3/8" (6)	1692810
W	400E	710	SD25	1b/2a	AZG / AG	1 3/8" (6)	1 3/8" (6)	1692813
W	400E	860	SD25	1b/2a	AZG / AG	1 3/8" (6)	1 3/8" (6)	1692812
W	400E	1010	SD25	1b/2a	AZG / AG	1 3/8" (6)	1 3/8" (6)	1692811
W	400E	1210	SD25	1b/2a	AZG / AG	1 3/8" (6)	1 3/8" (6)	1692808

1. DRIVE SHAFTS

1.3. SERIES W...E (ECOLINE)



W...E ECOLINE DRIVE SHAFTS - INDIVIDUAL PARTS

Pos.	Designation	Part No.
1	Connecting yokes Series W and P (Power Drive)	see page 30
2	Cross and bearing kits standard seals	see page 56
3	Inboard yokes Series W	see page 41
4	Profile	see page 62
5	Clamping pins	see page 24
6	Locking mechanisms for yokes and clutches	see page 65
7	Clutches	see page 73
8	Guard	see page 159