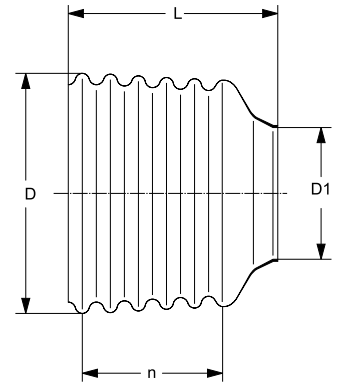


4. GUARDS

4.2. PG GUARDS



SC GUARD CONE

Guards	D1 [mm]	D [mm]	n ¹⁾	L [mm]	Drawing No.	Part No.
SC05	62	127	3	61	85.05.109	1172752
SC05	62	135	6	104	85.05.06	1365259
SC05	62	127	10	163	85.05.10	1365263
SC15	74	139	3	77	85.14.106	1172750
SC15	74	158	6	132	85.15.06	1365346
SC15	74	152	12	237	85.15.12	1365352
SC25	85	139	3	73	85.24.100	1172760
SC25	85	152	3	77	85.25.102	1160012
SC25	85	154	4	96	85.25.120	1104786
SC25	85	183	6	135	85.26.06	1365386
SC25	85	160	7	147	85.25.07	1365367

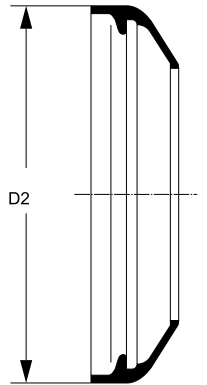
¹⁾ n = number of ribs

4. GUARDS

4. 3. GUARD COMPONENTS

Guards	D1 [mm]	D [mm]	n ¹⁾	L [mm]	Drawing No.	Part No.
SC25	85	185	8	170	85.26.08	1365388
SC25	85	156	10	200	85.25.10	1365370
SC25	85	152	12	234	85.25.12	1365372
SC35	103	207	8	172	85.36.08	1170107
SC35	103	177	12	234	85.35.12	1365412
SC35	103	199	12	241	85.36.12	1170111

¹⁾ n = number of ribs

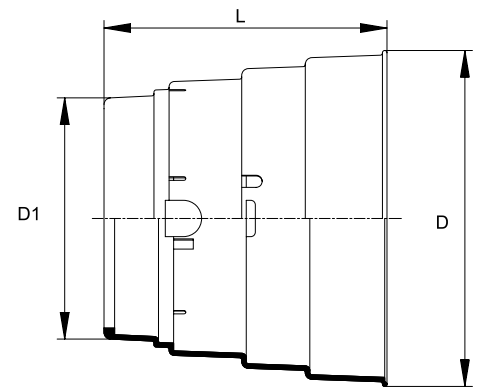


SD SD SUPPORTING RINGS

Guards	D2 [mm]	Drawing No.	Part No.
SD05	132	83.10.03	1365884
SD15/25	165	82.85.00	1359471
SD25	191	82.85.03	1359474
SD35	218	82.85.07	1178303
SD35	200	82.85.06	1359609

4. GUARDS

4.3. GUARD COMPONENTS



SD GUARD CONE FOR WIDE ANGLE TWIN YOKES (OLD VERSION)

Guards	Size	D1 [mm]	D [mm]	L [mm]	Drawing No.	Part No.
SD05/15	2280	142	182	125	85.00.04	1175001
SD05/15	2280	142	182	153	85.00.00	1365714
SD15/25	2380	156	202	139	85.00.05	1175002
SD15/25	2380	156	202	172	85.00.01	1365715
SD25	2480	159	222	159	85.00.06	1175003
SD25	2480	159	222	188	85.00.02	1172717
SD25	2580	173	237	173	85.00.07	1175004
SD25	2580	173	237	201	85.00.03	1172718

SDF GUARD CONE FOR WIDE ANGLE TWIN YOKES WITH FLEXO FUNNEL

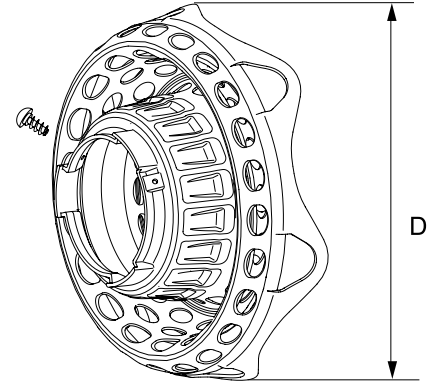
This guard cone is required for compliance with the specifications according to DIN EN 12965.

	Guards	Size	D1 [mm]	D [mm]	L [mm]	Drawing No.	Part No.
	SD15	2280	136	205	164	85.01.00	1134399
	SD15	2380	150	205	186	85.01.01	1134400
	SD25	2380	150	240	147	85.01.04	1134401
	SD25/20	2480 / P480	167	240	186	85.01.02	1129928

4. GUARDS

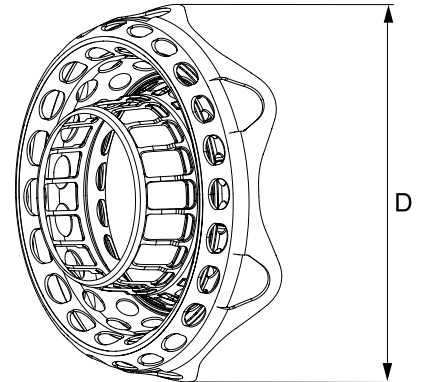
4.3. GUARD COMPONENTS

Guards	Size	D1 [mm]	D [mm]	L [mm]	Drawing No.	Part No.	
	SD25/20	2580 / P580	181	240	203	85.01.03	1129929



SDF FLEXO FUNNEL

Guards	D [mm]	L [mm]	Drawing No.	Part No.
SDF15	205	59	85.15.62	1134845
SDF25/20	240	94	85.25.62	1134847

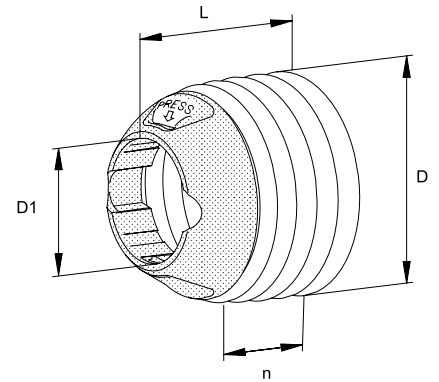


SDF FLEXO FUNNEL WITHOUT CAP

Guards	D [mm]	Drawing No.	Part No.
SDF15	205	85.01.10	1134390
SDF25/20	240	85.01.12	1129927

4. GUARDS

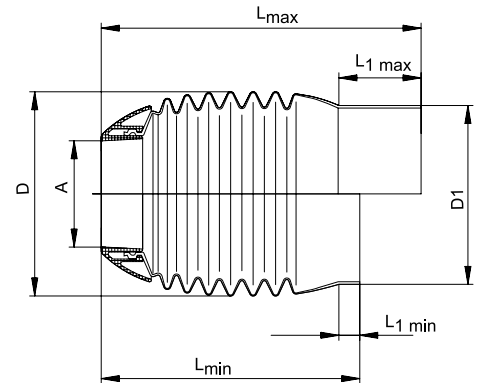
4.3. GUARD COMPONENTS



PG GUARD CONE

Guards	D1 [mm]	D [mm]	n ¹⁾	L [mm]	Drawing No.	Part No.
PG20	104	185	5	157	86.24.05	1120025
PG20	104	180	10	259	86.24.10	1122474
PG30	130	230	8	196	86.34.08	1120038

¹⁾ n = number of ribs



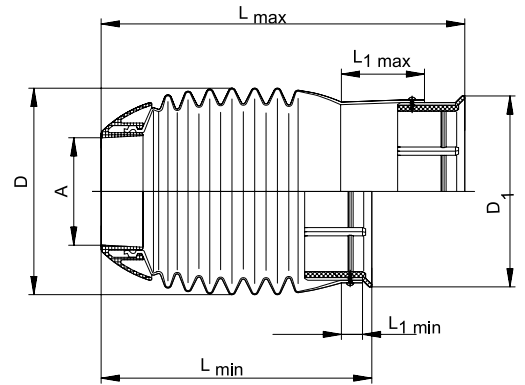
PG FULL GUARD CONE WITH SPACER RING

Guards	D [mm]	L _{max} [mm]	L _{1 max} [mm]	Drawing No.	Part No.
PG20SW	200	352	80	86.27.603	1120603
PG20SW	232	387	116	86.28.603	1120608
PG30SW	232	402	116	86.38.603	1120308

^{*)} L_{min} und L_{1min} = guard cone individual shorten

4. GUARDS

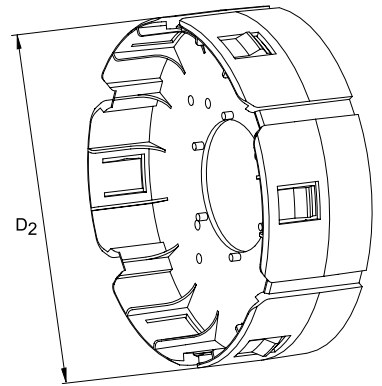
4.3. GUARD COMPONENTS



PG FULL GUARD CONE WITHOUT SPACER RING

Guards	D [mm]	L _{max} [mm]	L _{1max} [mm]	Drawing No.	Part No.
PG20SW	200	312	80	86.27.60	1119280
PG20SW	232	347	116	86.28.60	1119843
PG30SW	232	362	116	86.38.60	1120006

^{*)} L_{min} und L_{1min} = guard cone individual shorten

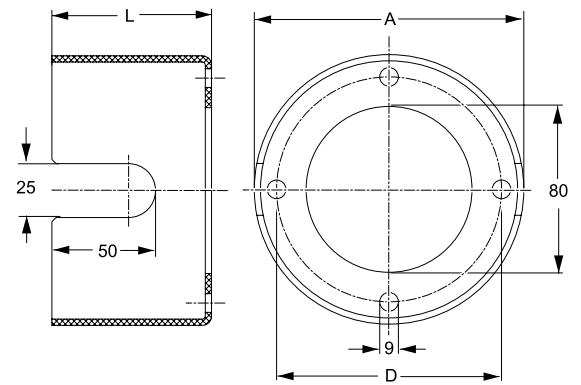


PG ADAPTER

Guards	D2 [mm]	Drawing No.	Part No.
PG20	162	86.26.22	1117571
PG20/30	211	86.26.23	1117572

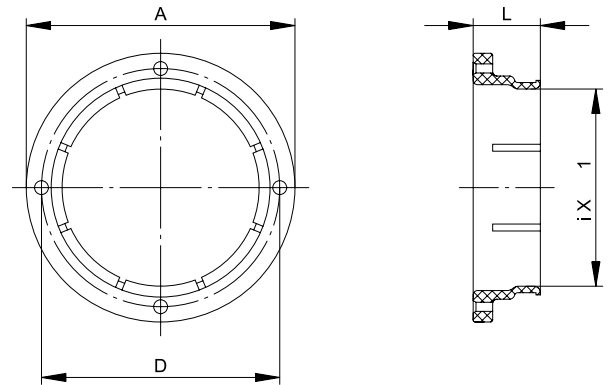
4. GUARDS

4.3. GUARD COMPONENTS



CONNECTION SHIELDS (INTERNAL)

D	A	L	Drawing No.	Part No.
[mm]	[mm]	[mm]		
110	130	77	82.07.00	1102535

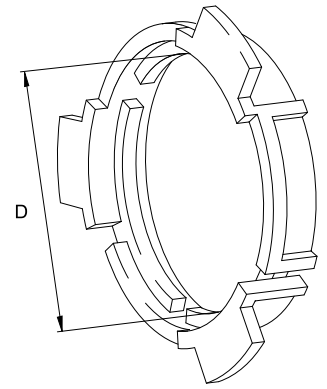


ADAPTER RINGS

Description	Guards	D	A	L	ix1	Part No.
		[mm]	[mm]	[mm]	[mm]	
Agraset 143	SC-adapter GT30-50	110	124	31	91	1101774
Agraset 144	SC-adapter GT60	135	145	31	115	1101775
Agraset 159	SC-adapter GT51.60	135	145	32	125	1133479

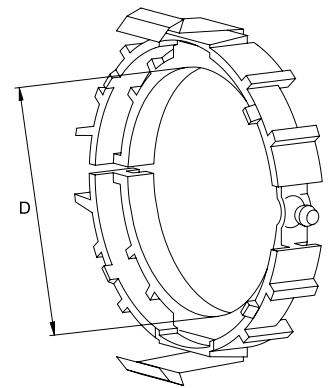
4. GUARDS

4. 3. GUARD COMPONENTS



SC/SD SLIDING RINGS

Guards	D [mm]	Drawing No.	Part No.
SD05	42	83.09.01	1359005
SD15	51	82.83.06	1087279
SD25	63	82.83.04	1087276
SD35	82	82.83.07	1342315

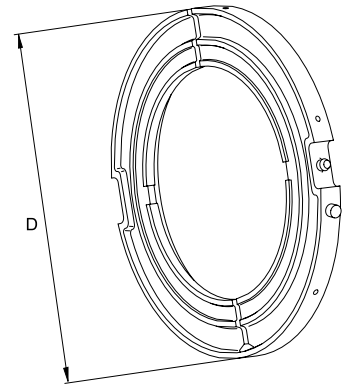


PG SLIDING RINGS

Guards	D [mm]	Drawing No.	Part No.
PG20	77	86.20.00	1117229
PG30	95	86.30.00	1109132

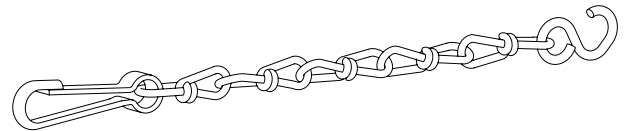
4. GUARDS

4. 3. GUARD COMPONENTS



SD SLIDING RINGS FOR WIDE ANGLE TWIN YOKES

Guards	D [mm]	Drawing No.	Part No.
SD05/15	152	82.83.12	1365716
SD15/25	165	82.83.13	1365717
SD25	175	82.83.14	1172715
SD25	190	82.83.15	1172716

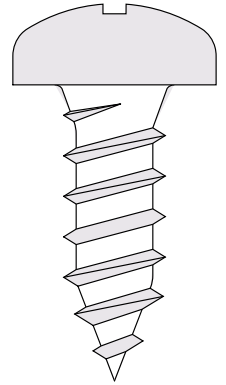


SAFETY CHAINS

L [mm]	Drawing No.	Part No.
400	82.36.03	1044321
600	82.36.08	1382078

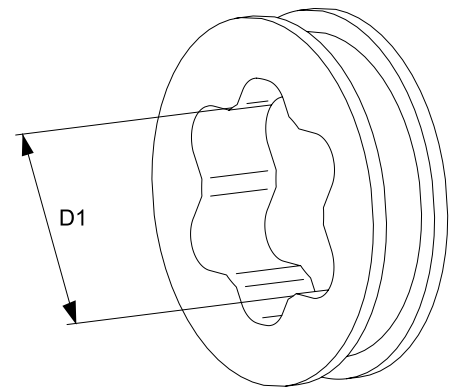
4. GUARDS

4. 3. GUARD COMPONENTS



SCREW
FOR GUARD CONES

Drawing No.	Part No.
60.15.00	1365305

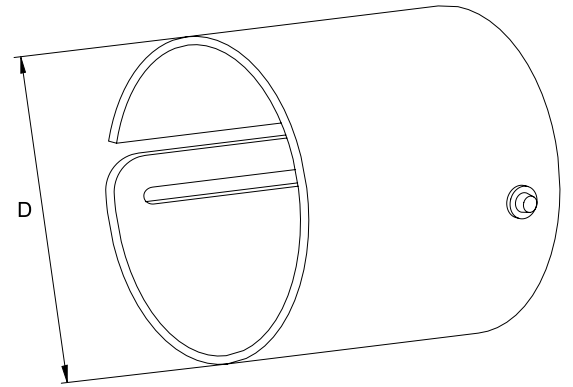
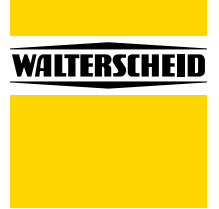


SC BEARING RINGS

Guards	D [Profile]	D1 [mm]	Drawing No.	Part No.
SC05	00a/00c	25	16.60.05	1315269
SC05	0a	31	16.60.06	1315270
SC15	0v	35	16.33.110	1161372
SC15	1	42	16.33.111	1161373
SC25	1	42	16.33.112	1161374
SC25	1b	40	16.33.113	1161375
SC25	2	50	16.33.115	1161377
SC25	2a	48	16.33.114	1161376
SC25	S4	38	16.33.116	1161378
SC25	S5	48	16.33.117	1161379
SC35		63	16.33.122	1388448

4. GUARDS

4. 3. GUARD COMPONENTS



LUBRICATION HOLE COVERS FOR PROTECTIVE TUBES

Guards	D [mm]	Drawing No.	Part No.
SD15	71	80.61.104	1186313
SD25/1PG20	90	80.64.102	1198303
SD25	83	80.63.112	1188064
SD35	102	80.65.101	1188061
PG30	135	80.65.104	1119851



SUPPORTING RINGS Z FOR INTERMEDIATE BEARING

Guards	Drawing No.	Part No.
SD15Z	16.20.74	1381621
SD25Z	16.20.71	1381284

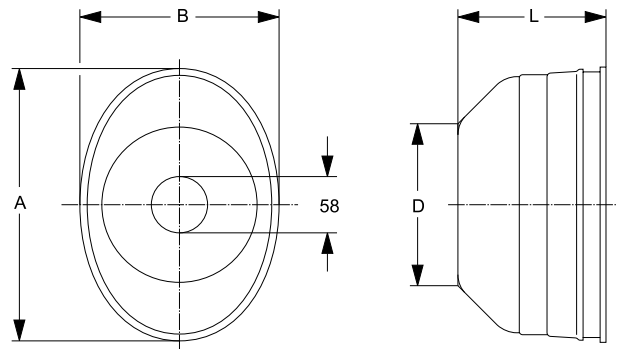
4. GUARDS

4. 3. GUARD COMPONENTS



SLIDING RINGS Z
FOR INTERMEDIATE BEARING

Guards	D [mm]	Drawing No.	Part No.
SD15Z	61	82.83.106	1355154
SD25Z	73	82.83.107	1355155
PG20Z	67	82.83.111	1122376

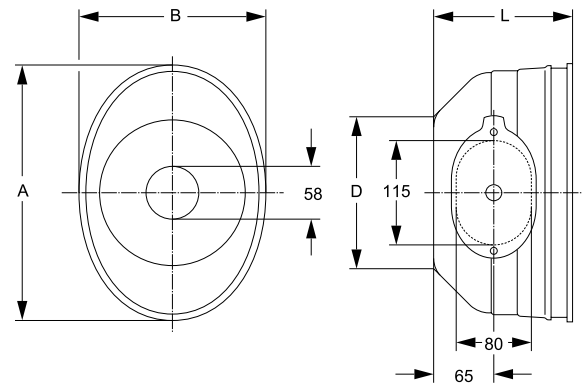


CONNECTION SHIELDS

D [mm]	A [mm]	B [mm]	L [mm]	Drawing No.	Part No.
150	200	175	110	82.08	1043670
150	230	200	150	82.09	1043671

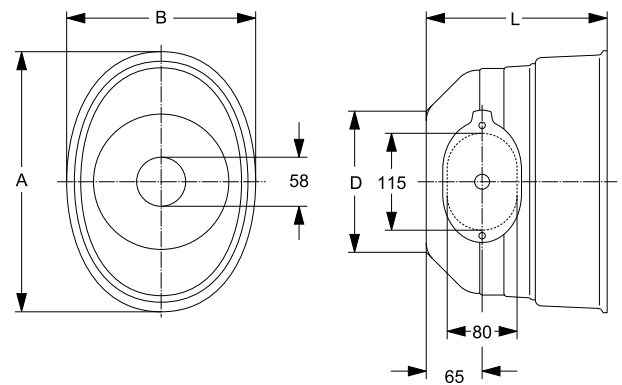
4. GUARDS

4. 3. GUARD COMPONENTS



CONNECTION SHIELDS WITH ASSEMBLY OPENING

D	A	B	L	Drawing No.	Part No.
[mm]	[mm]	[mm]	[mm]		
180	238	194	150	82.64	1353039
165	280	200	150	82.63	1353042
230	350	285	150	82.62	1353045
	275	217	150	82.37	1168718
	275	217	180	82.38	1168738
	275	217	210	82.39	1168739

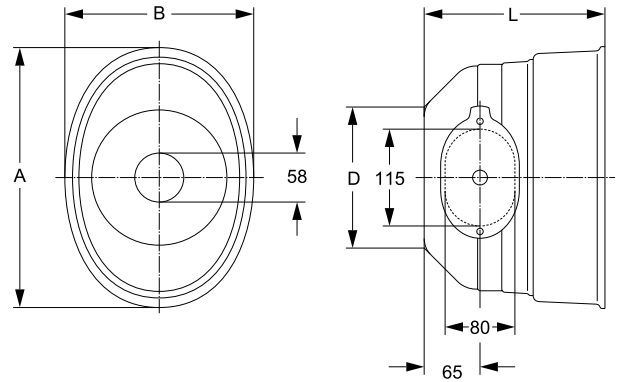


CONNECTION SHIELDS WITH ASSEMBLY OPENING AND RUBBER COLLAR

D	A	B	L	Drawing No.	Part No.
[mm]	[mm]	[mm]	[mm]		
165	280	200	180	82.75	1353041
165	280	200	210	82.76	1353040
230	350	285	180	82.73	1353044
230	350	285	210	82.74	1353043

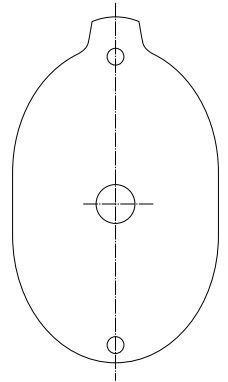
4. GUARDS

4.3. GUARD COMPONENTS



CONNECTION SHIELDS WITH ASSEMBLY OPENING AND PLASTIC COLLAR

D [mm]	A [mm]	B [mm]	L [mm]	Drawing No.	Part No.
165	280	200	180	82.77	1378017
165	280	200	210	82.78	1378018
165	280	200	240	82.79	1378019
	275	217	180	82.45	1168719
	275	217	210	82.46	1168720
	275	217	240	82.47	1168721
	275	217	270	82.50	1168734
	275	217	300	82.72	1168737



COVER FOR CONNECTION SHIELDS

Guards	Drawing No.	Part No.
SC	82.60.00	1358107